

CAVIUS

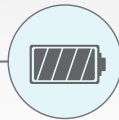
THE WORLDS
SMALLEST
HEAT
ALARM



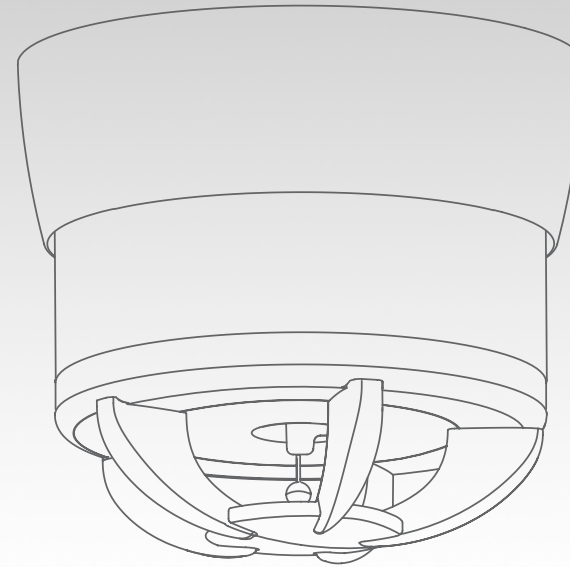
DANISH
DESIGN



10 YEAR
BATTERY



100%
TESTED



10 YEAR
HEAT
ALARM

PRODUCT TYPE: THERMAL HEAT DETECTOR DEVICE

PRODUCT NUMBER: 3002-TK001



reddot design award
winner 2013





PRODUCT TYPE: THERMAL HEAT DETECTOR DEVICE

PRODUCT NUMBER: 3002-TK001

PRODUCT DATA:

HEAT ALARM TYPE:

Thermal Heat Alarm Device.

USAGE:

Designed for installation in private homes or garages with risk for smoky, dusty, or humid or environment, as for example kitchen area, living room with wooden stove burner, garage area.

ISOTOPE ACTIVITY:

Absence of radioactive substances.

OPERATION AC/DC:

DC

BATTERY TYPE:

3V CR123 Lithium battery, 1600mAh (non-replaceable).

POWER CONSUMPTION:

For 1 year in normal operation, the battery consumption is 50mAh.

BATTERY LIFE:

Minimum 10 year life in normal operating condition. (Based on a weekly testing).

LOW BATTERY INDICATION:

A short acoustic "beep" will sound and LED flash every 48 seconds when the voltage is below 2.85V. In this stage it will continue for minimum 30 days, and can drive the alarm for 4 minutes.

NORMAL OPERATION:

LED flashes every 48 second for normal operation.

SOUND:

Audible indicator min. 85 dB @ 3 meter.

SOUND PATTERN:

Fire alarm condition is indicated by a series of three successive tones.

VISIBLE INDICATOR:

A red LED is used to indicate the following conditions:

- fire alarm condition is indicated by a flash every 0.5 seconds.
- normal operation is indicated by a flash every 48 seconds.

PUSH BUTTON:

When the detector is in normal operation, pressing the test button will test all features of the detector: Siren is activated, sensor is tested and LED diode is activated.

WARRANTY:

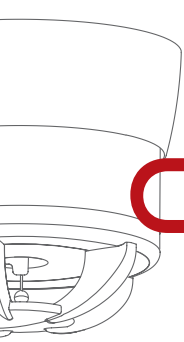
1 year

PRODUCT WEIGHT (GR):

43 g (excluding screws, plugs and mounting base).

DIMENSION:

The world's smallest thermal Heat Alarm Device, diameter: 40mm Height: 40mm.



CAVIUS

PRODUCT TYPE: THERMAL HEAT DETECTOR DEVICE

PRODUCT NUMBER: 3002-TK001

PRODUCT DATA:

OPERATING TEMPERATURE:

-10°C to +38°C (tested from 0 degrees to 55 degrees).

OPERATING HUMIDITY:

Up to 95% RH non-condensing.

DETECTION:

Gives alarm when temperature level rapidly increase and when temperature level >58°C.

INSTALLATION POSITIONS:

Ceiling. Not recommended for wall use. Set of 2 x screws and 2 x plugs included.

APPROVALS:

Tested according to EN54-5
EN 60065:2002
ROHS
REACH

CE TESTING INSTITUTE:

ITS/CNPP

AWARDS:

Red Dot 2013 Design Awards



reddot design award
winner 2013

IF 2015 Design Award



ASSOCIATIONS:

Cavius is member of GIFSID, manufacturers' association of domestic fire safety equipment

STORAGE TEMPERATURE:

-20°C to +60°C

STORAGE HUMIDITY:

Up to 93% RH non-condensing.

QUALITY ASSURANCE:

SOUND LEVEL:

100% tested in special designed sound chamber.

POWER CONSUMPTION:

100% tested

BATTERY VOLTAGE AND INTERNAL RESISTANCE:

100% tested

ALARM FUNCTION:

100% tested

VISUAL APPEARANCE:

100% inspected

PACKING CONTENT:

100% inspected

CONTACT

www.cavius.com

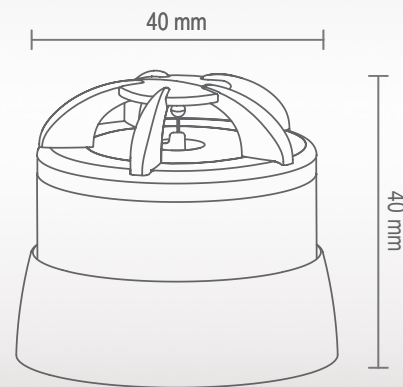
MANUFACTURER

Manufacturer: Cavius Aps, DK8600

CAVIUS



THE WORLDS
S M A L L E S T
HEAT
A L A R M



PRODUCT TYPE: THERMAL HEAT DETECTOR DEVICE

PRODUCT NUMBER: 3002-TK001

DISTRIBUTOR: