

CAVIUS

PRODUCT NAME: CAVIUS TRAVEL ALARM

**PERSONAL
ATTACK
ALARM**



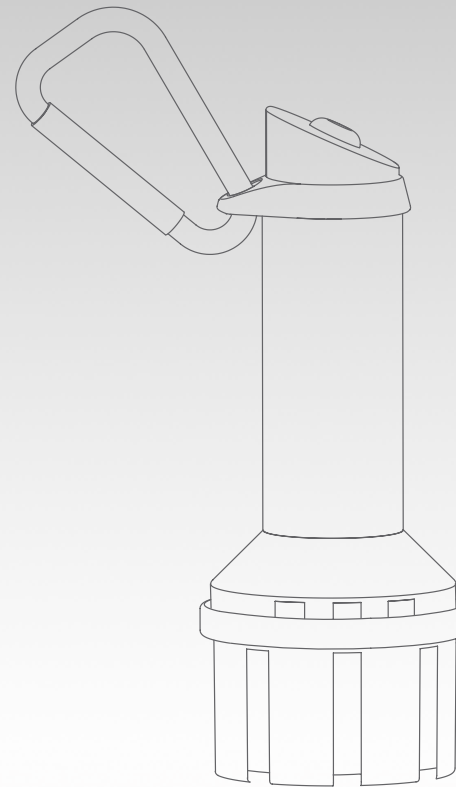
**SMOKE
ALARM**



MOVEMENT SENSOR
**DOOR &
BAG
ALARM**



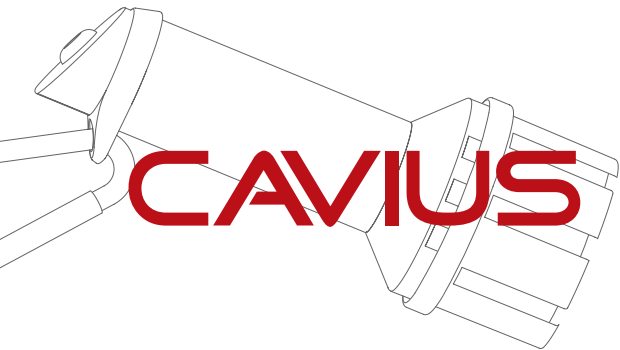
**DANISH
DESIGN**



**TRAVEL
ALARM**

PRODUCT NUMBER: 1001





PRODUCT NAME: CAVIUS TRAVEL ALARM

PRODUCT NUMBER: 1001

PRODUCT DATA:

DEVICE TYPE:

Optical smoke alarm and motion detector device.

USAGE:

Designed for added safety when travelling. Smoke detector to be activated when staying at hostels and hotels with low safety level. Motion sensor to be activated and device to be placed in front of door or hooked onto the backpack etc. Attack alarm to be activated in unsafe situations. Carabina clip included for easy attachment to bags, belts etc.

FUNCTION:

Travel alarm with 3 functions:

1. Attack alarm
2. Smoke alarm
3. Motion alarm

Both smoke alarm and motion alarm mode can be activated at the same time.

PRODUCT DIMENSIONS:

D: 35 mm. x H: 90 mm.

PRODUCT WEIGHT:

60 gr. (including 1 x AA battery)

OPERATION AC/DC:

DC

BATTERY LIFE:

Minimum 5 year life in normal operating condition.

SOUND:

Audible indicator min. 90 dB @ 1 meter in anechoic chamber.

SOUND PATTERN:

Alarm sound is a continuous sound, sweeping from high to low tone for maximum alertness.

VISIBLE INDICATOR:

Smoke function mode: Yellow LED

Motion function mode: Green LED

Alarm mode: Red LED

PUSH BUTTON:

Push button to switch between the 3 functions:

- Smoke
- Motion
- Attack alarm by continuous press

ISOTOPE ACTIVITY:

Absence of radioactive substances.

WARRANTY:

10 year

APPROVALS:

CE / EMC

RoHS

REACH

BATTERY TYPE:

1 x 1,5v AA battery

CE TESTING INSTITUTE:

ITS

AWARDS:



product
design
award

2011



reddot design award
winner 2011

ASSOCIATIONS:

CAVIUS is member of the NF292 committee.

CAVIUS is member of GIFSID, manufacturers' association of domestic fire safety equipment.

OPERATING TEMPERATURE:

+4°C to +38°C (tested from 0 degrees to 55 degrees)

OPERATING HUMIDITY:

Up to 90% RH non-condensing

STORAGE TEMPERATURE:

-20°C to +60°C

STORAGE HUMIDITY:

Up to 93% RH non-condensing

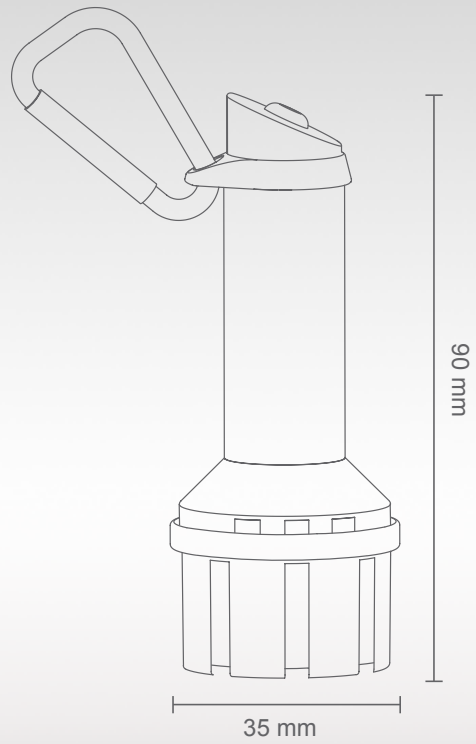
CONTACT

www.cavius.com

MANUFACTURER

Manufacturer: Cavius Aps, DK8600

CAVIUS




TRAVEL
ALARM