

CAVIUS

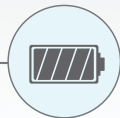
THE WORLDS
SMALLEST
SMOKE
ALARM



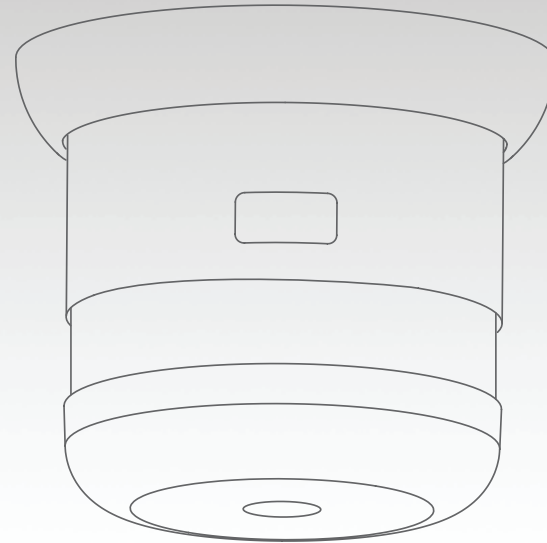
DANISH
DESIGN



5 YEAR
BATTERY



100%
TESTED



5 YEAR
SMOKE
ALARM

PRODUCT NAME: CAVIUS SMOKE ALARM, 5 YEAR 40MM

PRODUCT NUMBER: 2001





CAVIUS

PRODUCT NAME: CAVIUS SMOKE ALARM, 5 YEAR 40MM

PRODUCT NUMBER: 2001

PRODUCT DATA:

DEVICE TYPE:

Optical smoke alarm device.

USAGE:

Designed for installation in private homes, camping trailers, mobile homes and caravans.

INSTALLATION POSITION:

Ceiling. Set of 2 x screws and 2 x plugs included.

PRODUCT DIMENSIONS:

D: 40 mm x H: 41 mm

PRODUCT WEIGHT:

Base alarm weight (excluding battery screws, plugs and mounting ring): 31g.

OPERATION AC/DC:

DC

BATTERY TYPE:

3V CR2 Lithium battery, 850mAh (replaceable)

BATTERY LIFE:

Minimum 5 year life in normal operating condition.
(Based on a weekly testing).

LOW BATTERY INDICATION:

A short acoustic "beep" will sound and LED flash every 48 seconds when the voltage is below 2.85V. In this stage it will continue for minimum 30 days, and can drive the alarm for 4 minutes.

NORMAL OPERATION:

LED flashes every 48 seconds for normal operation.

SOUND:

Audible indicator min. 85 dB @ 3 meter.

SOUND PATTERN:

Fire alarm condition is indicated by a series of three successive tones.

VISIBLE INDICATOR:

A red LED is used to indicate the following conditions:

- fire alarm condition is indicated by a flash every 0.5 seconds
- smoke sense speed up is indicated by a flash every 2 seconds when the smoke level is at the alarm threshold
- normal operation is indicated by a flash every 48 seconds

PUSH BUTTON:

The smoke detector includes a push button switch. This button has the following functions:

- hush – during an alarm condition this immediately silences the alarm when pressed. When the button is released, the alarm remains silenced for 10 minutes
- test – when not in alarm the sounder can be activated to provide a sensor OK test function. While the button is pressed, the audible and visible indicators are activated if the sensor is OK

DETECTION TIMING:

The smoke detector is reading every 8 seconds, every 2 seconds at unusual readings (alarm stage).

WARRANTY:

10 year

CERTIFICATION:

EN 14604:2005+AC:2008

OPERATING TEMPERATURE:

+4°C to +38°C

OPERATING HUMIDITY:

Up to 90% RH non-condensing

STORAGE TEMPERATURE:

-20°C to +60°C

STORAGE HUMIDITY:

Up to 93% RH non-condensing

CONTACT

www.cavius.com

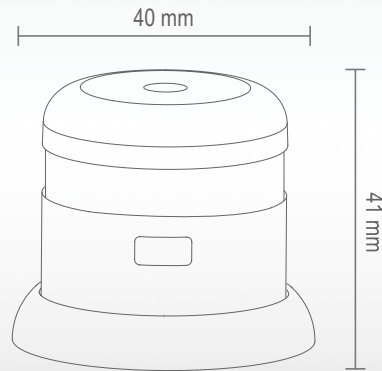
MANUFACTURER

Carrier Fire & Security Danmark A/S

CAVIUS



THE WORLDS
S M A L L E S T
SMOKE
A L A R M



PRODUCT NAME: CAVIUS SMOKE ALARM, 5 YEAR 40MM

PRODUCT NUMBER: 2001